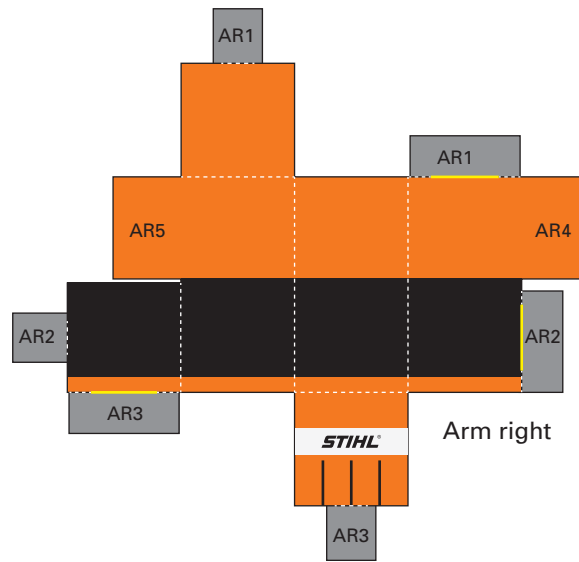
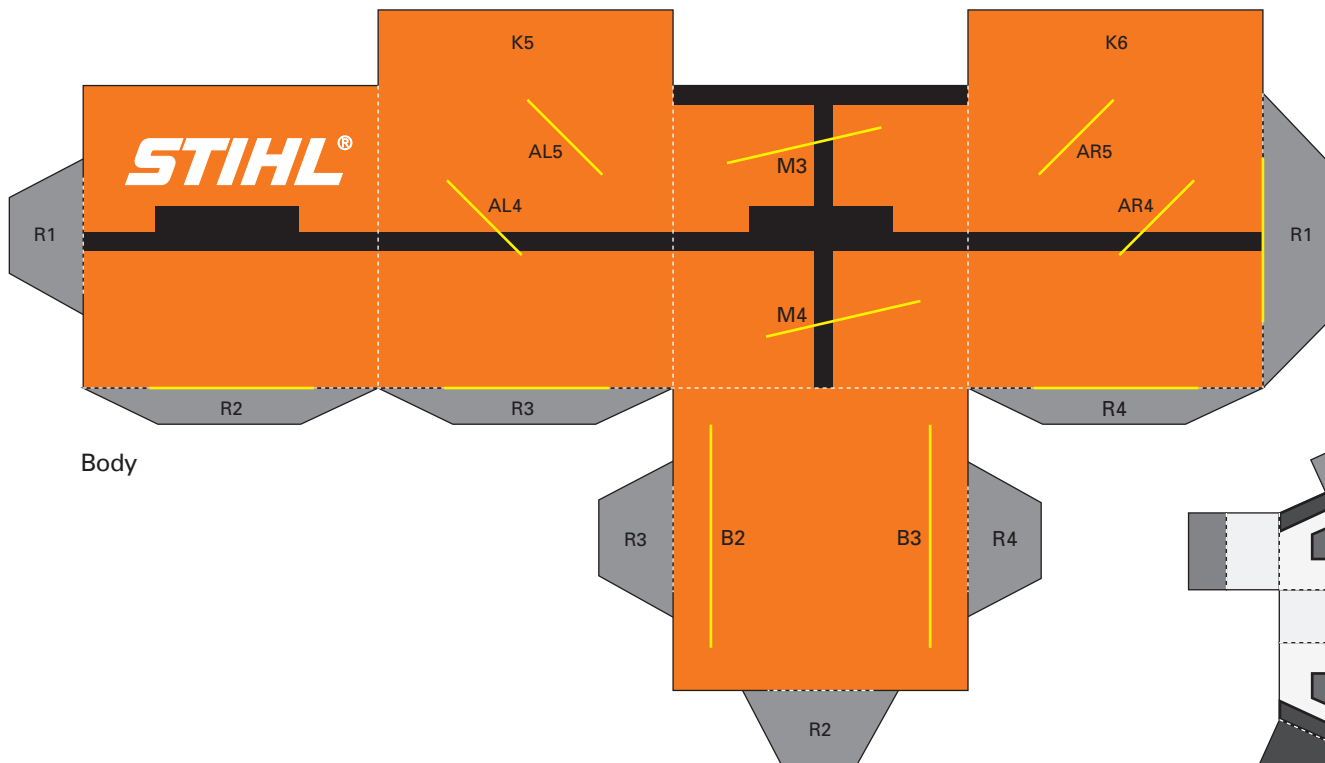


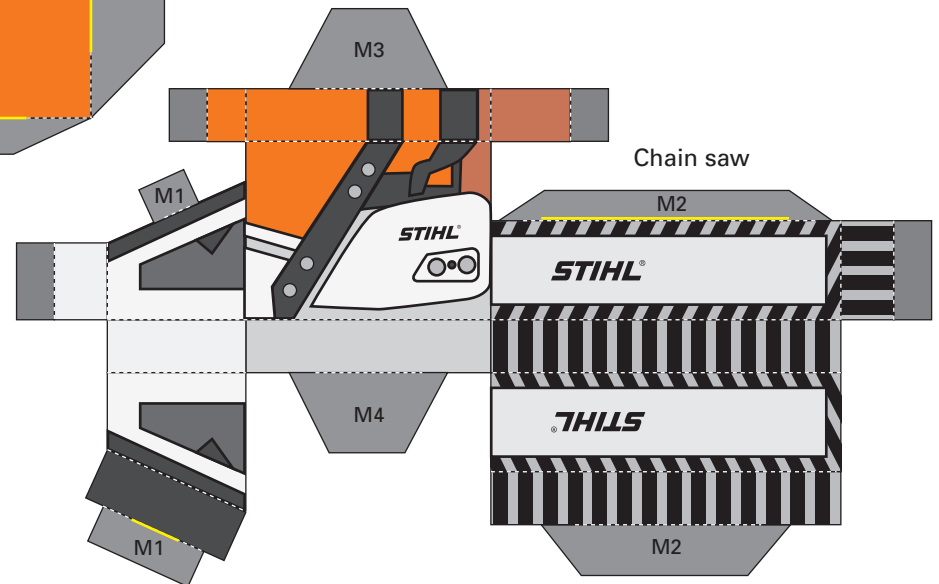
Arm left



Arm right



Body



Chain saw

### STIHL-PaperJack

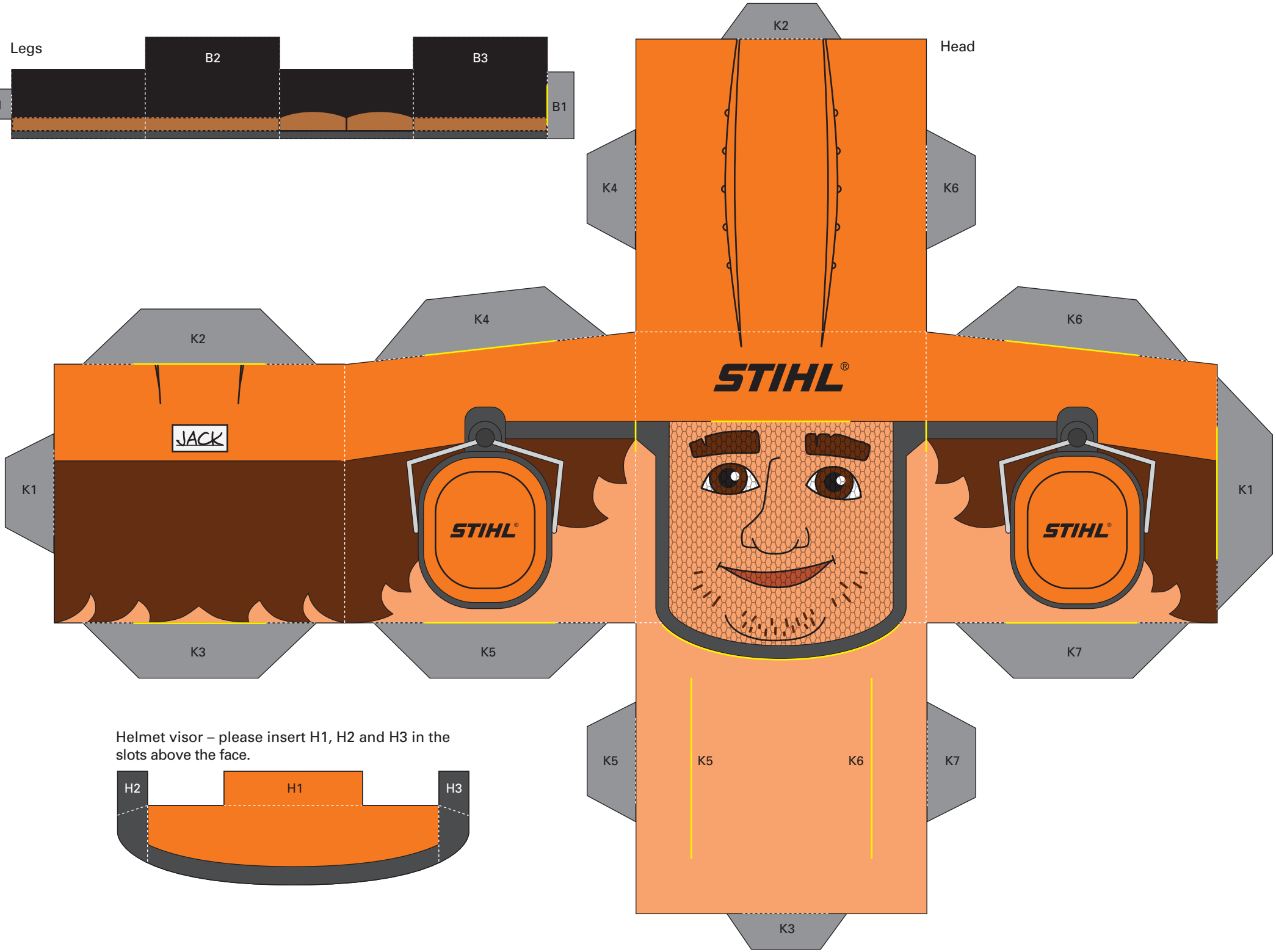
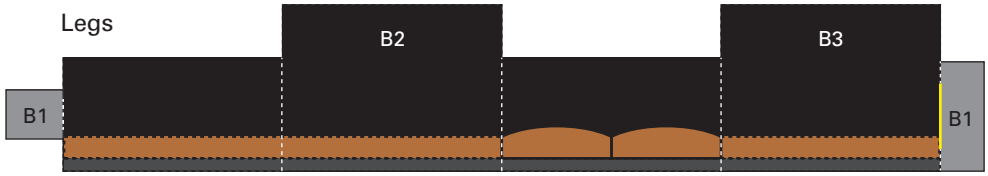
No glue or tape necessary – all the parts can simply be tucked into each other. Have scissors and a box cutter ready:

1. Download the crafting template for forestry worker Jack and print it out on A4 paper - somewhat thicker paper if possible (paper with 200 g/m<sup>2</sup> is ideal).
2. Carefully cut out all seven patterns on both sides.
3. Fold and crease along the dotted white lines.
4. Cut along all the yellow lines using a box cutter.
5. Stick the light grey flaps into the slits with the matching label (for example, put the AL1 flap into the AL1 slit).
7. Put the seven individual patterns together: simply tuck the flaps into the slits with the respective label.

Done!

Have fun with Paper Jack!





Helmet visor – please insert H1, H2 and H3 in the slots above the face.

